

# VALVES



A wide variety of valves are described in this section. All the valves are made of Borosilicate Glass body & PTFE plug so that process fluid just comes in contact with Glass & PTFE only. Borosilicate Glass body permits the visual checking of the operation.

All the valves are suitable for operation under full vacuum conditions & a maximum temperature of 200°C.

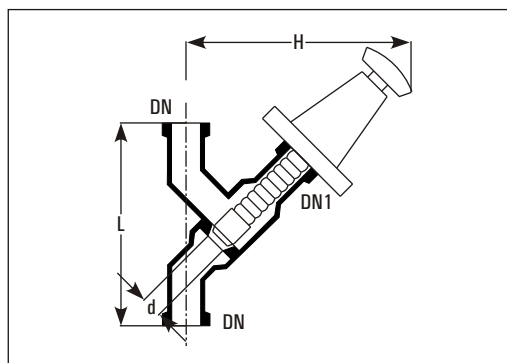
Borosilicate Valves are available from DN 15 to DN 50.  
Bigger size valves are available on request.

# VALVES

## STRAIGHT THROUGH VALVES

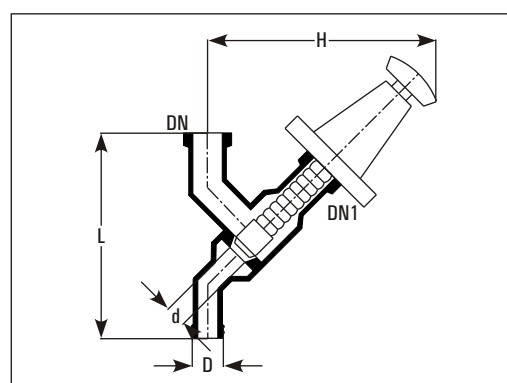
Cat.Ref.	DN	DN1	d	L	H
PV0.5	12	12	10	125	125
PV0.7	15	15	10	125	125
PV1*	25	25	18	175	175
PV1.5/1	40	25	18	225	175
PV1.5*	40	40	26	225	200
PV2*	50	50	38	300	220

Spindles are made of PTFE.



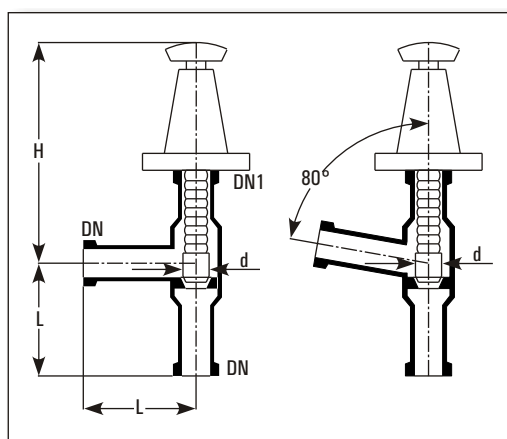
## DRAIN VALVES

Cat.Ref.	DN	DN1	d	L	H	D
PVD0.5	12	12	10	125	125	22
PVD0.7	15	15	10	125	125	22
PVD1*	25	25	18	175	175	28
PVD1.5/1*	40	25	18	225	175	28
PVD1.5*	40	40	26	225	200	42
PVD2*	50	50	38	300	220	50



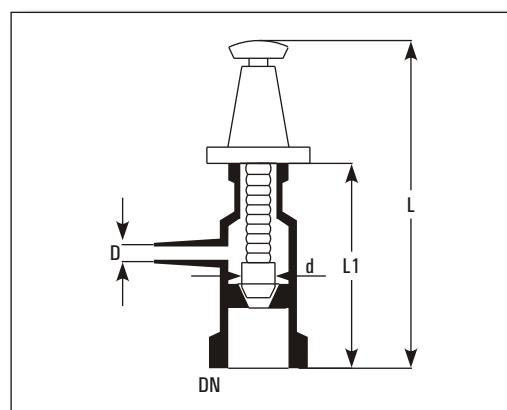
## ANGLE VALVES

Cat.Ref.	DN	DN1	d	L	H	Degree
PVE0.5	12	12	10	50	85	90
PVE0.7	15	15	10	50	85	90
PVE1*	25	25	18	100	175	90
PVE1/80*	25	25	18	100	175	80
PVE1.5*	40	40	26	150	200	90
PVE2	50	50	38	150	220	90



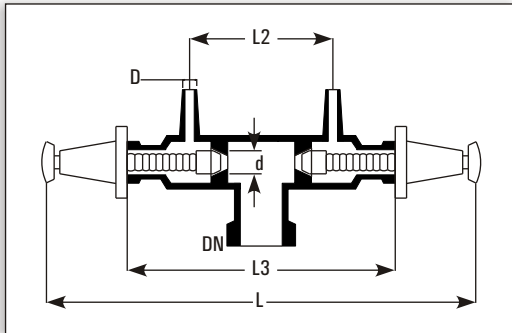
## VENT VALVES

Cat.Ref.	DN	D	d	L	L1
PVV0.5	12	12	10	125	90
PVV0.7*	15	12	10	125	90
PVV1*	25	12	10	150	90
PVV1.5*	40	12	10	150	100



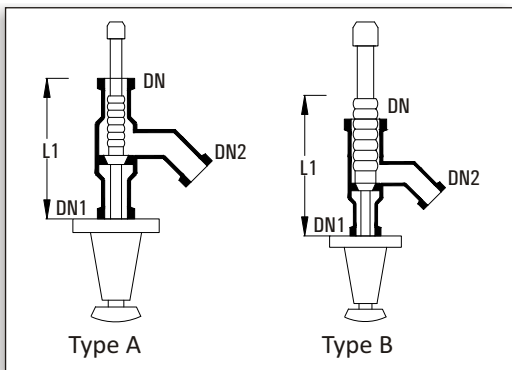
\* marked items are available fast.

## VENT / VACUUM VALVES



Cat.Ref.	DN	D	d	L	L1	L2	L3
PVW 1/0.7*	25	12	10	280	55	85	160
PVW 1.5/0.7*	40	12	10	280	65	85	160

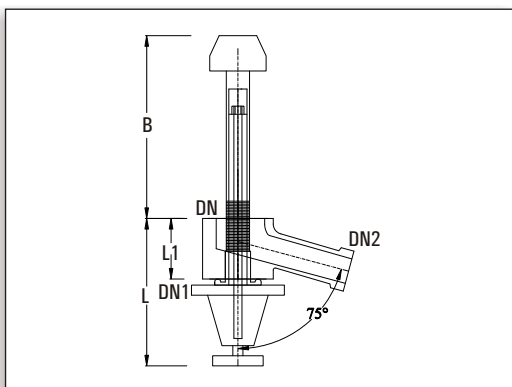
## BOTTOM OUTLET VALVES



These valves prevent the accumulation of solids or liquid in the bottom outlet of a vessel. This valve can be incorporated in any spherical or cylindrical vessel.

Cat.Ref.	DN	DN1	DN2	L1	Type
BAL1*	25	25	25	150	A
BAL1.5*	40	25	25	150	B
BAL2	50	25	40	150	B

## SPACER BOTTOM OUTLET VALVES



Cat.Ref.	DN	DN1	L1	L	B
SBAL1	25	15	40	110	175
SBAL1.5	40	25	60	160	175
SBAL2	50	25	60	160	175

## WEIGHT OPERATED PRESSURE RELIEF VALVE

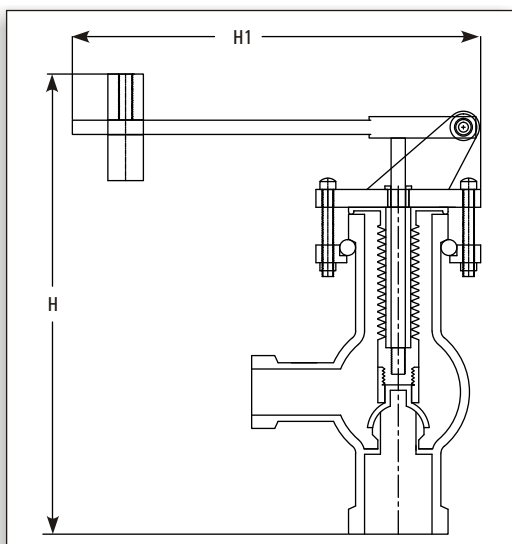
The pressure relief valve (WPRV) is a valve used to control or limit the pressure in a system or vessel which can build up by a process upset, instrument or equipment failure, or fire.

The pressure is relieved by allowing the pressurized gas/fluid to flow out of the system. The pressure relief valve is designed or set to open at a predetermined set pressure to protect Glass vessels and other equipment from being subjected to pressures that exceed their design limits. When the set pressure is exceeded, the pressure relief valve is forced open and a portion of the gas/fluid is released maintaining the required system pressure.

Weight operated pressure relief valve is constructed of glass and PTFE. Sealing of moving parts is effected by a PTFE bellows.

The maximum recommended operating temperature is 150°C and a range of pressure as mentioned below.

It should be installed with the spindle vertical and adequate support should be given.



Model	Size	Pr. range (BAR.g)	Appx. Height (H)	Appx. Width (H1)
WPRV-1.5	DN40	0.4/0.7/0.9	240mm	275mm
WPRV-2	DN50	0.1/0.2/0.3	270mm	275mm

\* marked items are available fast.